



RESTA 350x110

Crusher of fine construction debris

- Jaw crusher
- Plug in
- Eco-friendly
- Close side setting

Max. feed size	300x100 mm
Final product	0-50 mm (according to crusher setting)
Throughput	0.5-1.5 t/h
Hopper	0.05 m ³
Weight	350 kg

DESIGNED FOR:

- reinforced concrete
- concrete
- construction waste
- natural aggregate up to 100 MPa



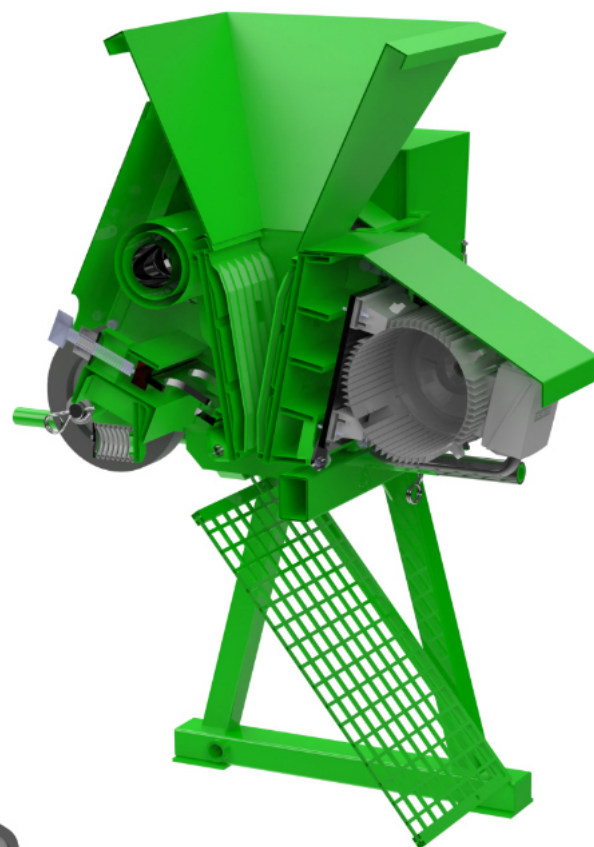
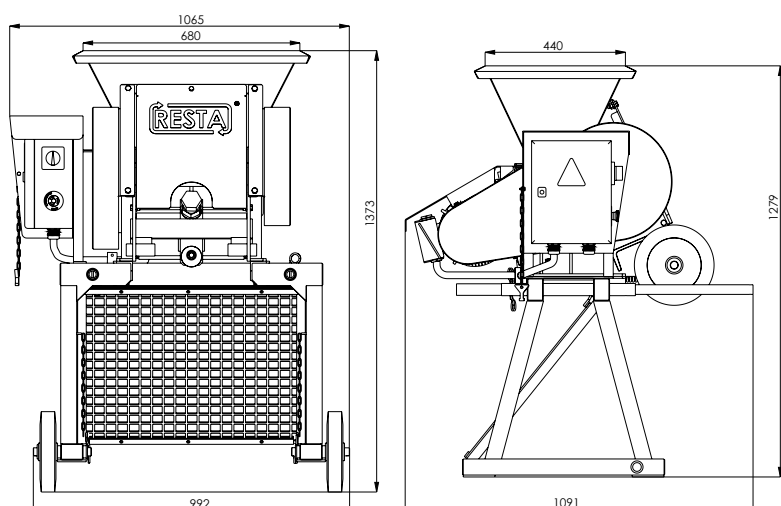
RESTA s.r.o.
CRN: 14616807
TIN: CZ 14616807

Kojetínská 3120/75
750 02 Přerov
Czech Republic

✉ resta@resta.cz
☎ +420 581 741 811

www.resta.cz

MODEL



RESTA s.r.o

Contact:

Kojetínská 3120/75
750 02 Přerov
Czech Republic

+420 581 741 811

Fax +420 581 299 958

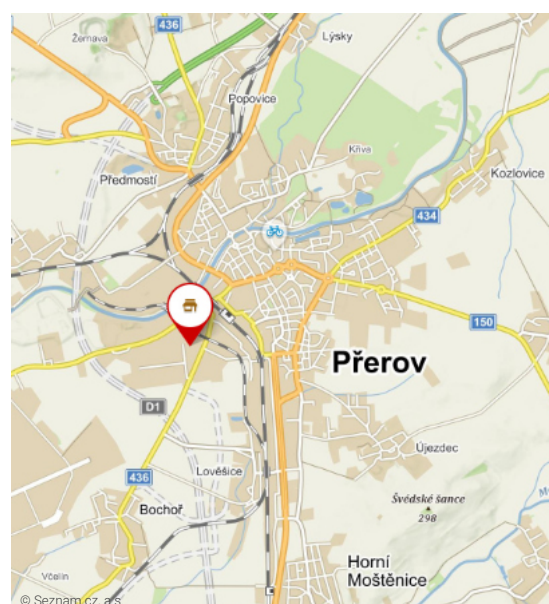
✉ resta@resta.cz

Company identification:

CRN: 14616807
TIN: CZ14616807

GPS: 49.4435458 N, 17.4361281 E

www.resta.cz



RESTA s.r.o.
CRN: 14616807
TIN: CZ 14616807

Kojetínská 3120/75
750 02 Přerov
Czech Republic

✉ resta@resta.cz
+420 581 741 811

www.resta.cz