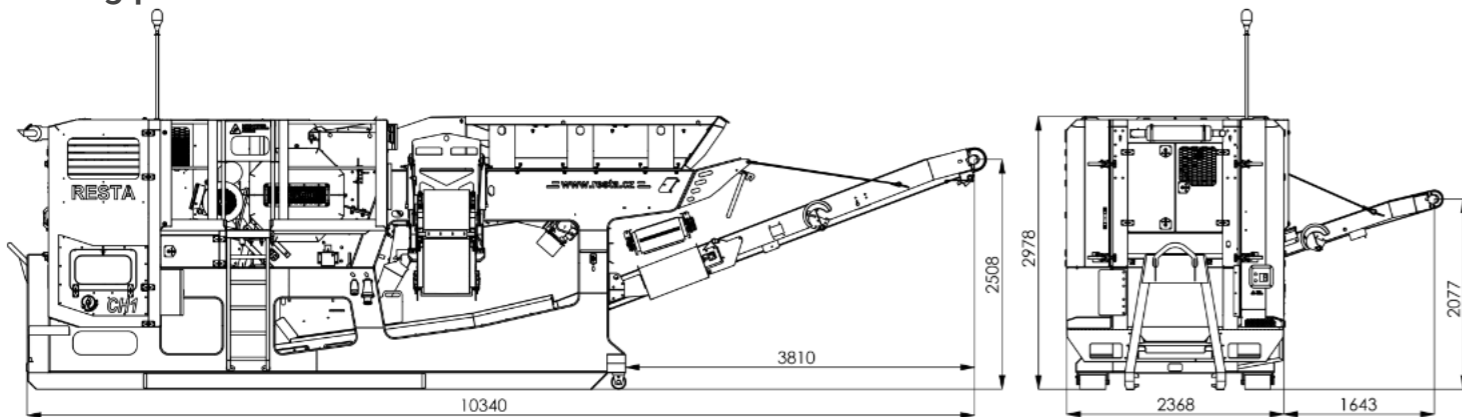
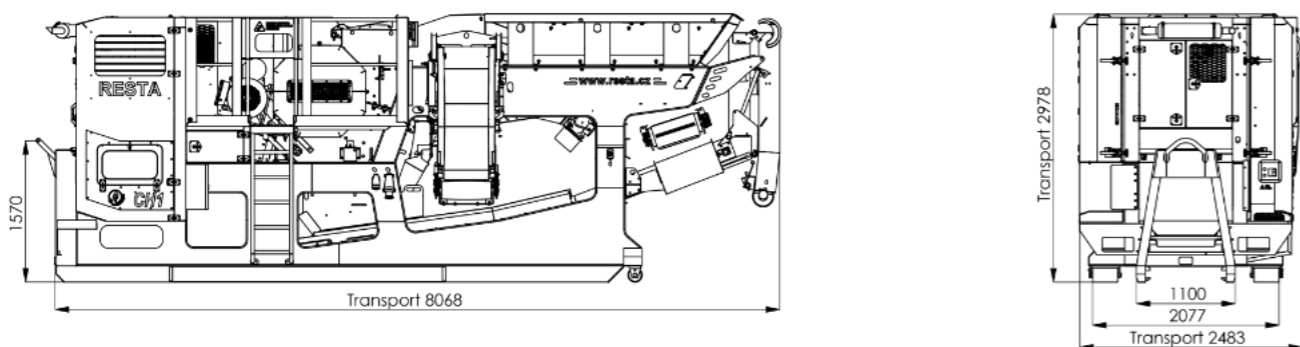


VERSION

Working position



Transport position



RESTA s.r.o

Contact:

Kojetínská 3120/75
750 02 Přerov
Czech Republic

+420 581 741 811

Fax +420 581 299 958

rest@resta.cz

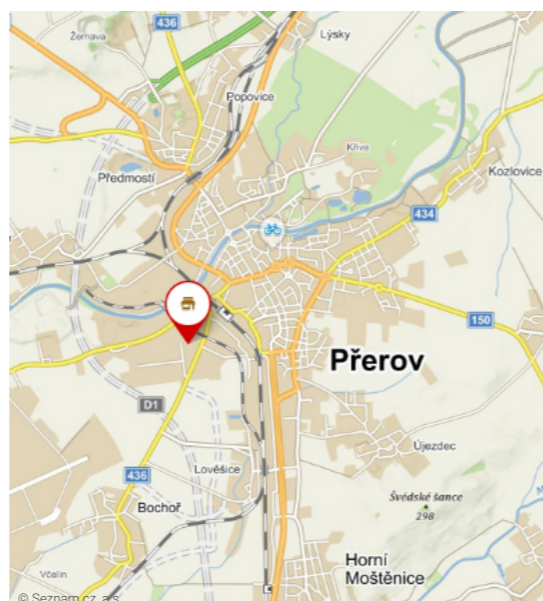
Company identification:

CRN: 14616807
TIN: CZ14616807

GPS: 49.4435458 N, 17.4361281 E



www.resta.cz



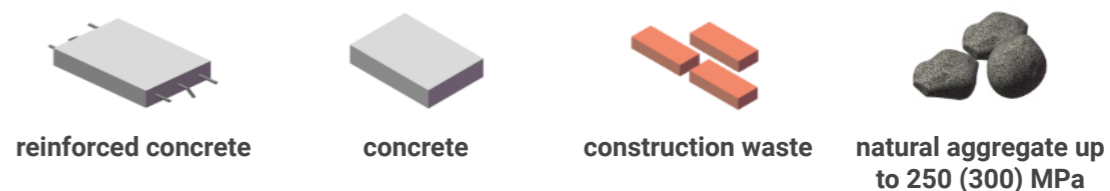
RESTA CK6 710x500

Container jaw crusher



Max. feed size	max. 500 mm
Final product	0-50 mm, 0-110 mm (according to crusher setting)
Throughput	30-70 t/h
Hopper	3 m ³
Weight	16 t

DESIGNED FOR:



RESTA s.r.o.
CRN: 14616807
TIN: CZ 14616807

Kojetínská 3120/75
750 02 Přerov
Czech Republic

rest@resta.cz
+420 581 741 811

www.resta.cz

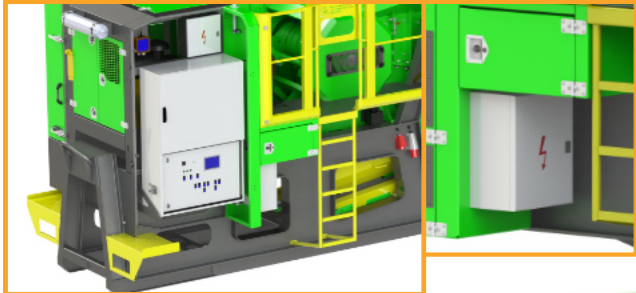
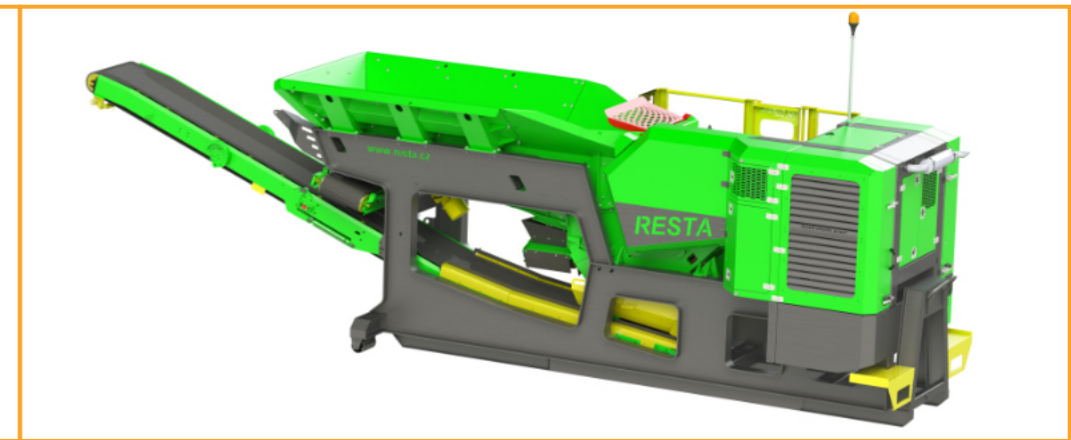
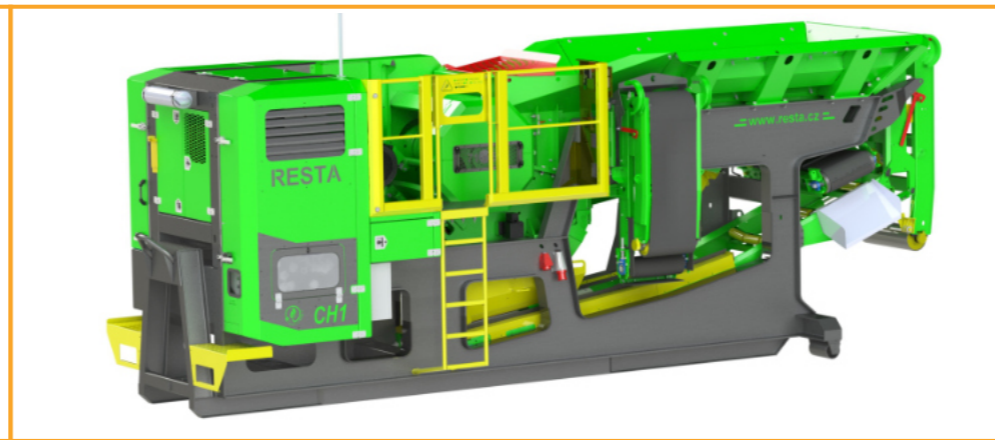
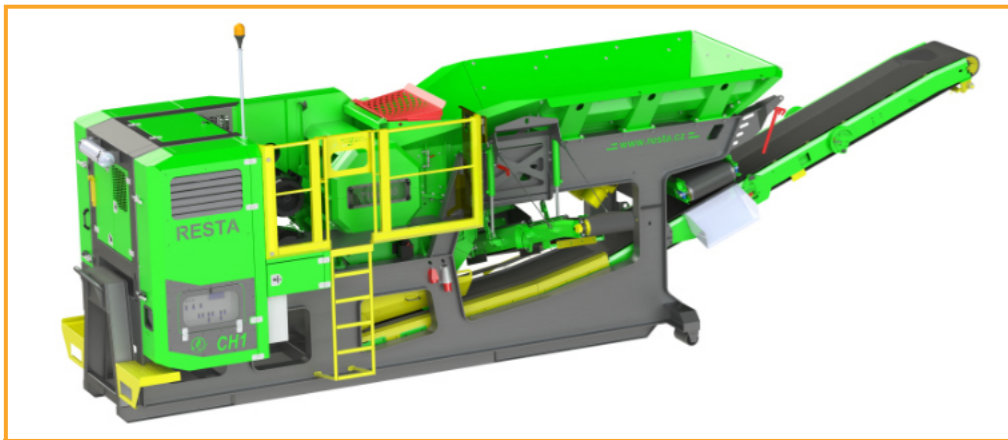


RESTA s.r.o.
CRN: 14616807
TIN: CZ 14616807

Kojetínská 3120/75
750 02 Přerov
Czech Republic

rest@resta.cz
+420 581 741 811

www.resta.cz



Diesel genset

- ✓ low fuel consumption
- ✓ option to use external power supply
- ✓ double sealing of switchboard
- ✓ user-friendly

Service

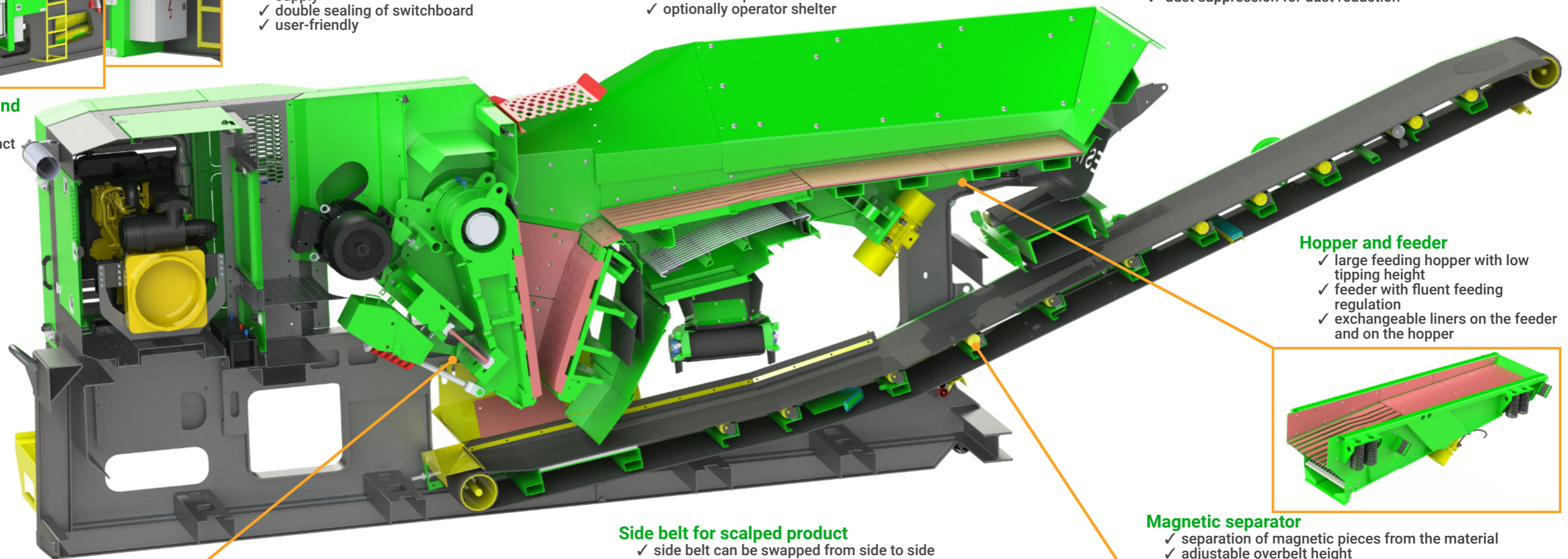
- ✓ semi-automatic control
- ✓ easy and safe access to all operation and service points
- ✓ optionally operator shelter

Operation

- ✓ easy and efficient reinforced concrete crushing
- ✓ rapid setup into operation from transport position
- ✓ dust suppression for dust reduction

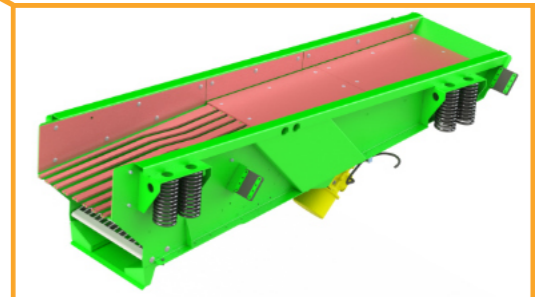
Maintenance and service

- ✓ clean compact design
- ✓ easy access
- ✓ simplicity



Hopper and feeder

- ✓ large feeding height hopper with low tipping height
- ✓ feeder with fluent feeding regulation
- ✓ exchangeable liners on the feeder and on the hopper

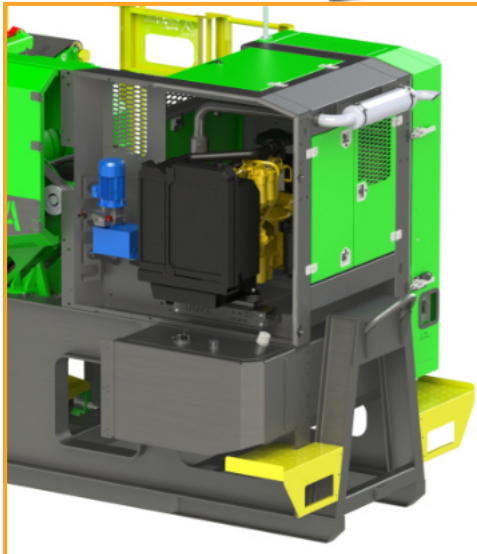


Magnetic separator

- ✓ separation of magnetic pieces from the material
- ✓ adjustable overbelt height

Side belt for scalped product

- ✓ side belt can be swapped from side to side
- ✓ user-friendly
- ✓ in transport position, it does not restrict access to the crusher



Crusher

- ✓ low operation costs
- ✓ high operation reliability
- ✓ automatic monitoring of the crusher filling
- ✓ automatic material feeding into the crusher high performance and robust structure
- ✓ integrated drive
- ✓ easy replacement of spare parts
- ✓ option to hydraulically set close side
- ✓ hydraulic version – automatic crusher protection when an uncrushable object gets into the crusher
- ✓ active iron bender for safe and efficient reinforced concrete crushing

