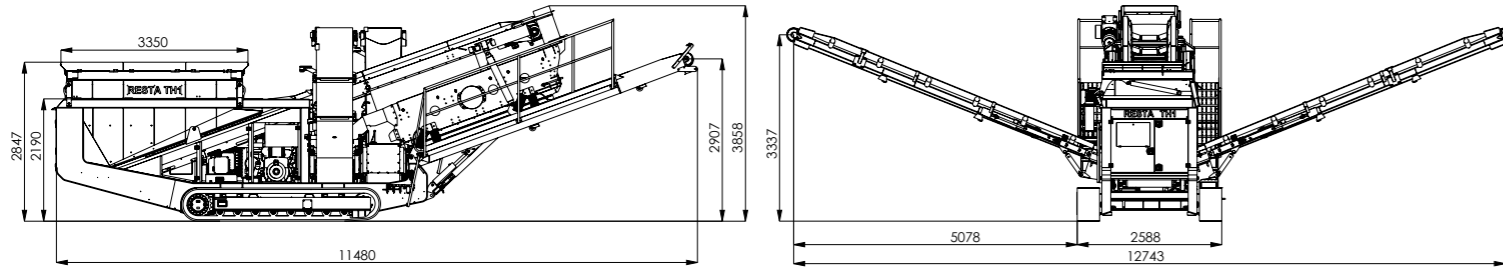
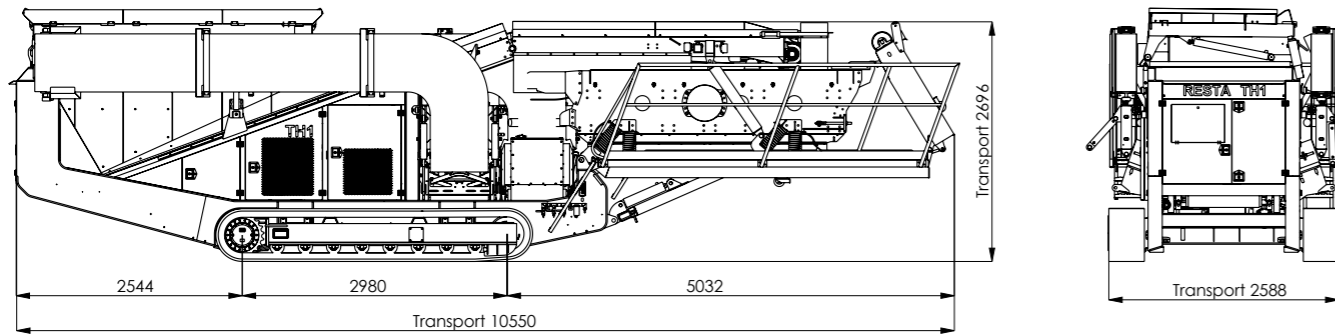


MODEL

Working position



Transport position



RESTA s.r.o

Contact:

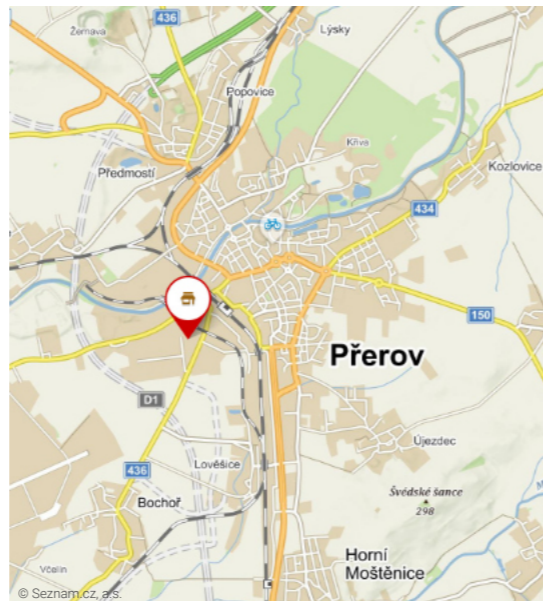
Kojetínská 3120/75
750 02 Přerov
Czech republic

+420 581 741 811
Fax +420 581 299 958
✉ resta@resta.cz

Company identification:

CRN: 14616807
TIN: CZ14616807

GPS: 49.4435458 N, 17.4361281 E



www.resta.cz



RESTA TH1 SE 1200x3000 Mobile screener



Max. feed size	max. 800 mm
Final product	3+1 final product (according to used screen mesh)
Throughput	60 - 200 t/h
Hopper	3.5 - 5 m ³
Weight	16 t

DESIGNED FOR:



RESTA s.r.o.
CRN: 14616807
TIN: CZ 14616807

Kojetínská 3120/75
750 02 Přerov
Czech Republic

✉ resta@resta.cz
☎ +420 581 741 811

www.resta.cz

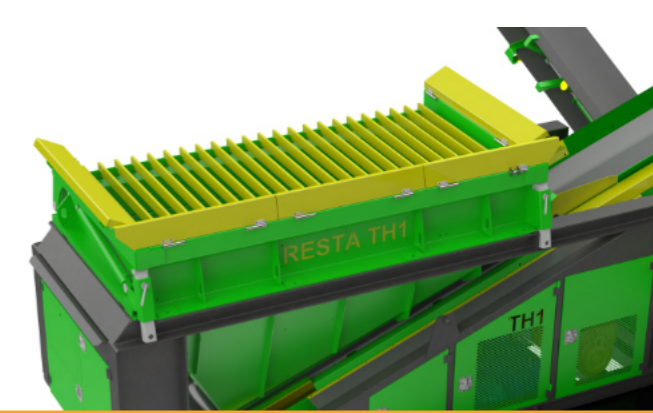
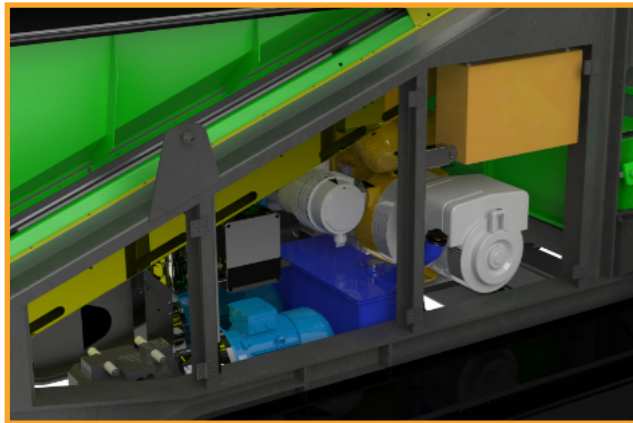


RESTA s.r.o.
CRN: 14616807
TIN: CZ 14616807

Kojetínská 3120/75
750 02 Přerov
Czech republic

✉ resta@resta.cz
☎ +420 581 741 811

www.resta.cz



Maintenance and service

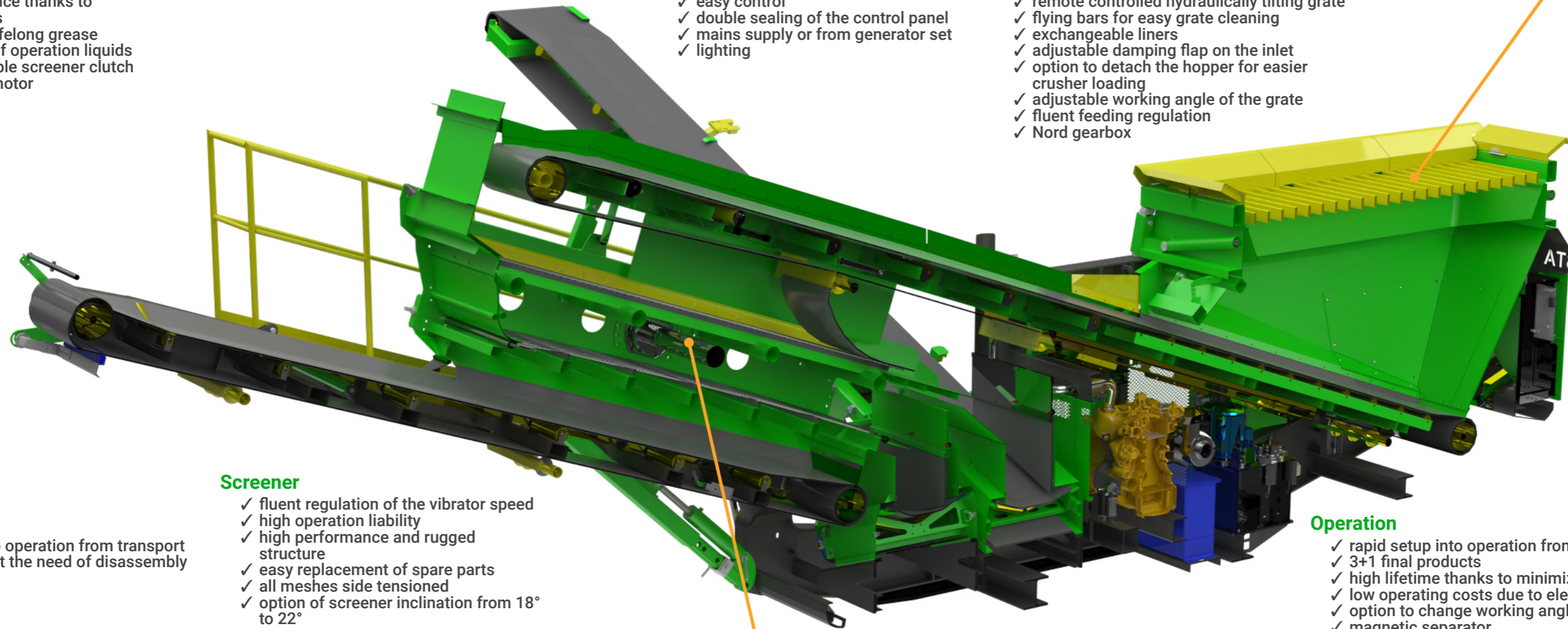
- ✓ easy maintenance thanks to electrical drives
- ✓ bearings with lifelong grease
- ✓ small amount of operation liquids
- ✓ easily serviceable screener clutch and electrical motor

Control panel

- ✓ easy control
- ✓ double sealing of the control panel
- ✓ mains supply or from generator set
- ✓ lighting

Hopper with tipping grid

- ✓ remote controlled hydraulically tilting grate
- ✓ flying bars for easy grate cleaning
- ✓ exchangeable liners
- ✓ adjustable damping flap on the inlet
- ✓ option to detach the hopper for easier crusher loading
- ✓ adjustable working angle of the grate
- ✓ fluent feeding regulation
- ✓ Nord gearbox



Transport

- ✓ rapid setup into operation from transport position without the need of disassembly
- ✓ easy handling
- ✓ remote control

Screener

- ✓ fluent regulation of the vibrator speed
- ✓ high operation liability
- ✓ high performance and rugged structure
- ✓ easy replacement of spare parts
- ✓ all meshes side tensioned
- ✓ option of screener inclination from 18° to 22°

Operation

- ✓ rapid setup into operation from transport position
- ✓ 3+1 final products
- ✓ high lifetime thanks to minimization of hydraulic system
- ✓ low operating costs due to electrical drives
- ✓ option to change working angle of the screener
- ✓ magnetic separator
- ✓ dust suppression

